

Martin® Tornado Air Cannon

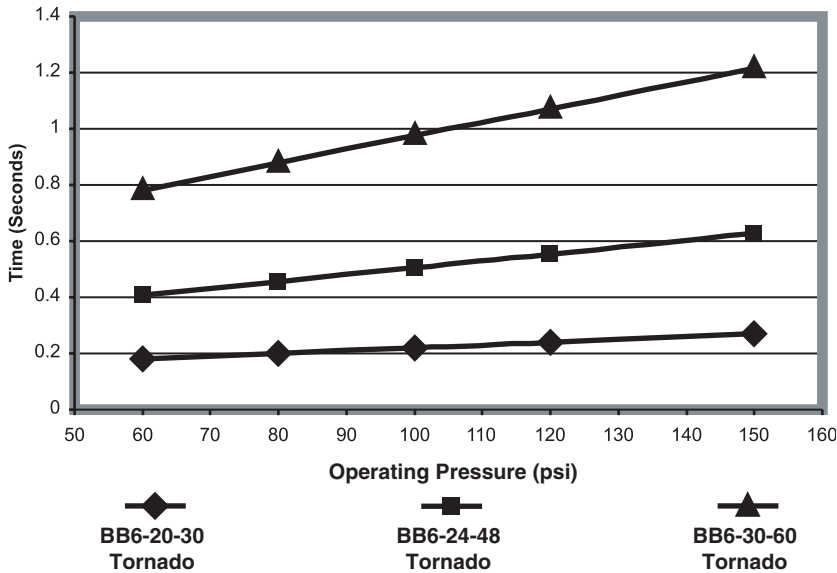


6-INCH VALVE

The **Martin® Tornado Air Cannon** produces better material flow with greater force, faster cycling, and improved safety. The Martin® Tornado Air Cannon fires when the exhaust valve opens in response to a positive surge of air sent by a tripped solenoid valve. This positive-acting valve amplifies the discharge force, up to 20% more force than a standard Martin® XHV Air Cannon of the same size.

PERFORMANCE DATA

Discharge Time



Martin® Tornado Exhaust Valve

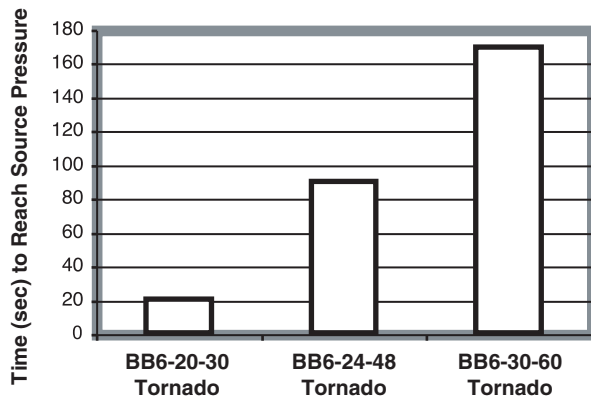


Unit shown as cutaway to show internal parts.

BENEFITS

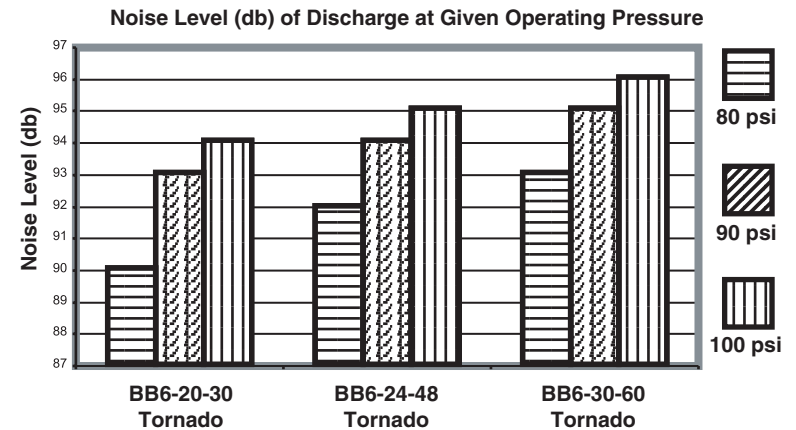
- Increased Safety
- Increased Force Output
- Suitable for High Temperatures
- Easy Installation and Maintenance
- Cycle Guarantee
- Faster Fill Times

Tank Fill Time*



* Data based on laboratory testing. Fill times may vary depending on air supply characteristics.

Noise Level

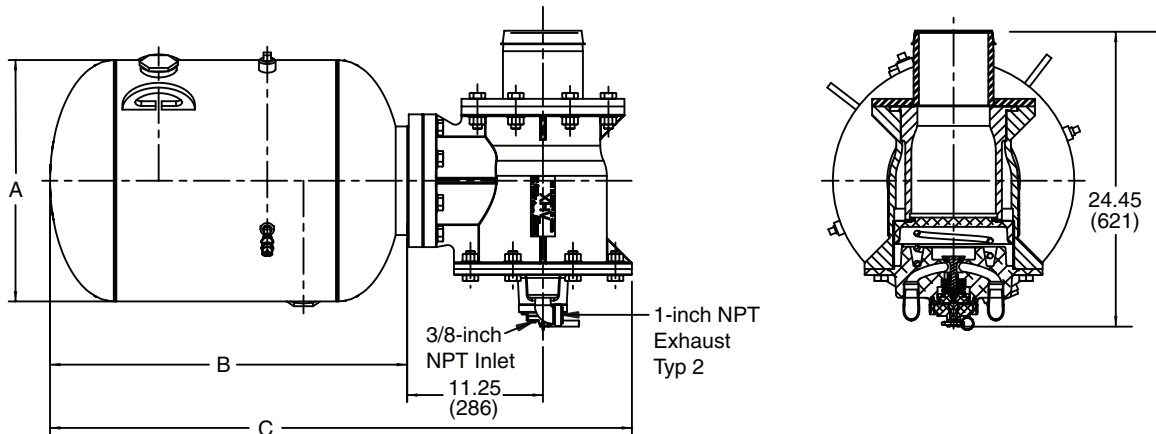


TECHNICAL DATA SHEET

DIMENSIONS

NPT—National Pipe Thread

Model	Assembly P/N	Dimensions				Ship WT. lbs (kg)			
		A		B			C		
BB6-20-30	37853-2030	20	(508)	29.59	(762)	47.59	(1209)	240	(109)
BB6-24-48	37853-2448	24	(610)	48.00	(1219)	66.00	(1676)	301	(136)
BB6-30-60	37853-3060	30	(762)	60.00	(1524)	78.00	(1981)	402	(182)



AIR VOLUME IN FT³ (LITERS) FREE AIR

Air Pressure PSI	2030 ft ³ (L)		2448 ft ³ (L)		3060 ft ³ (L)	
0	4.8	(135)	11.2	(319)	22.0	(622)
40	17.7	(501)	41.9	(1185)	81.8	(2315)
50	20.9	(593)	49.5	(1402)	96.7	(2738)
60	24.2	(684)	57.2	(1619)	111.6	(3161)
70	27.4	(776)	64.8	(1835)	126.6	(3585)
75	29.0	(822)	68.6	(2052)	141.5	(4008)
85	32.2	(913)	76.3	(2160)	149.0	(4219)
90	33.9	(959)	80.1	(2269)	156.5	(4431)
95	35.5	(1005)	83.9	(2377)	164.0	(4643)
100	37.1	(1051)	87.8	(2485)	171.4	(4854)
110	40.3	(1142)	95.4	(2702)	186.4	(5277)
120	43.6	(1234)	103.1	(2619)	201.3	(5701)

NOTES

Tanks for Martin® Air Cannons supplied by Martin Engineering are manufactured to ASME Code Rules, Section VIII, Division 1. Tanks are National Board registered and pressure vessel quality (PVQ).